

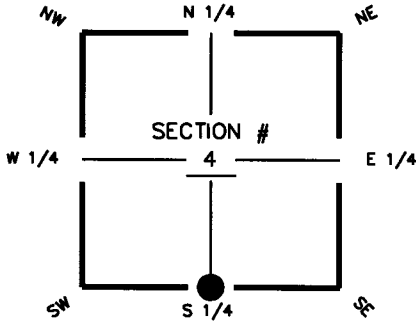
FLORIDA DEPARTMENT OF ENVIRONMENTAL PROTECTION CERTIFIED CORNER RECORD

DOC. # 094495

CORNER DESCRIPTION: **MONUMENTATION DESCRIPTION (EVIDENCE FOUND OR METHOD TO SET)**

Depict corner with ●

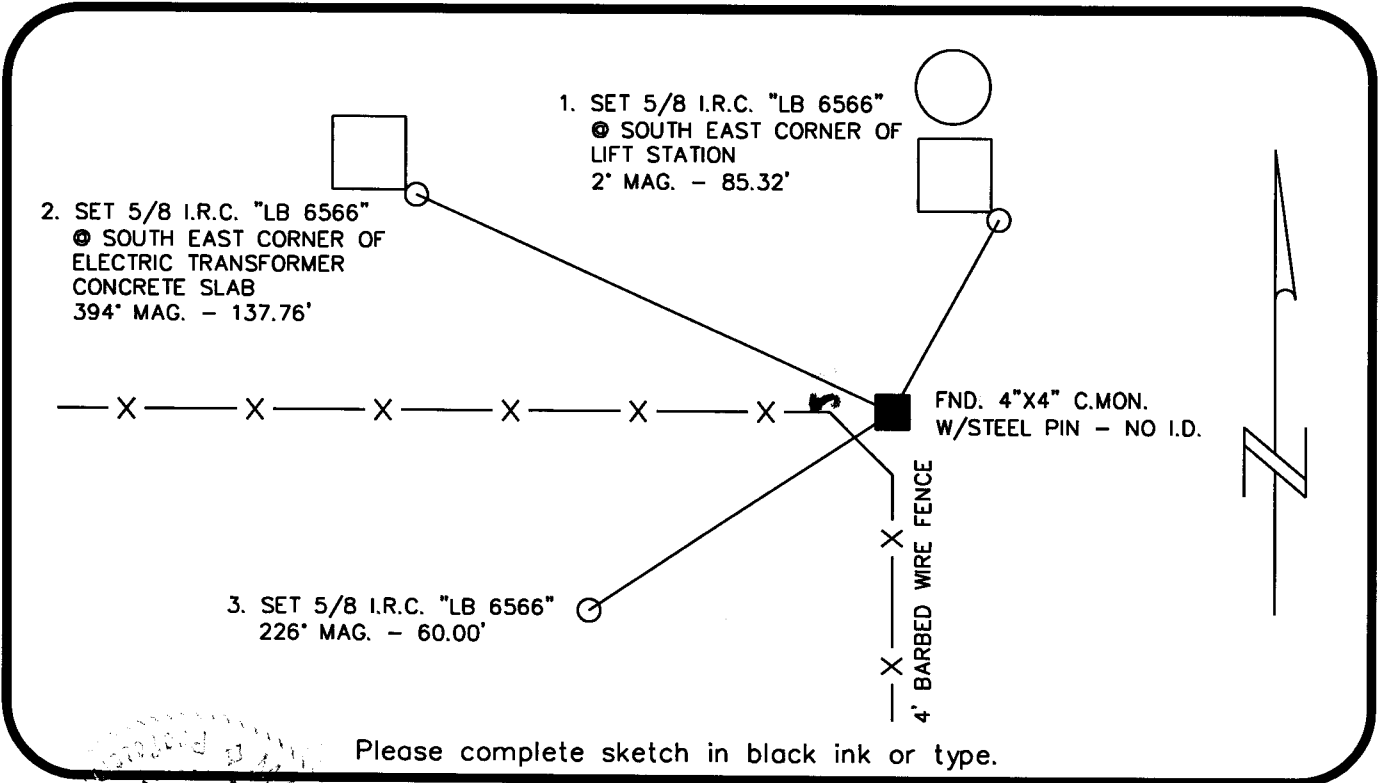
FOUND 4" X 4" CONCRETE MONUMENT WITH STEEL PIN - NO I.D.



S 1/4 corner of Section 4
Twp 45 S, Rge 27 E
Tallahassee Base Meridian,
LEE County(s), Florida

HORIZONTAL POSITION INFORMATION (if determined):

Latitude 26° 35' 06.5845" N. Longitude 81° 37' 17.2870" W.
Y(NORTHING-Ft.) 818562.590 X(EASTING-Ft.) 779873.511 Zone WEST
Convergence 0° 10' 09.8588" Scale factor 0.999958722
Coordinate determination (circle one): Field traverse GPS
Horizontal datum (circle one): NAD27 NAD83(1986) NAD83(1999) other (explain)
Accuracy (circle one): 1st 2nd 3rd other 1:50,000



Please complete sketch in black ink or type.

SURVEYOR'S CERTIFICATE:

I certify the monument and accessories indicated above were field located on 04/29/08

[Signature]
SIGNATURE
McKIM & CREED, PA
FIRM OR AGENCY
10970 S. CLEVELAND AVENUE, SUITE 401
ADDRESS
FORT MYERS FLORIDA 33907
CITY STATE ZIP
(239) 275-8875 5-22-2008
PHONE NUMBER DATE

SEND ORIGINAL TO:
Department of Environmental Protection
Bureau of Surveying and Mapping
3900 Commonwealth Boulevard
Mail Station 105
Tallahassee, Florida 32399

Processed: 6-1-08 MB
B.L.M. - I.D. 340600
QUAD - I.D. 2113 Alva SE

EMBOSSSED SEAL OVER SIGNATURE