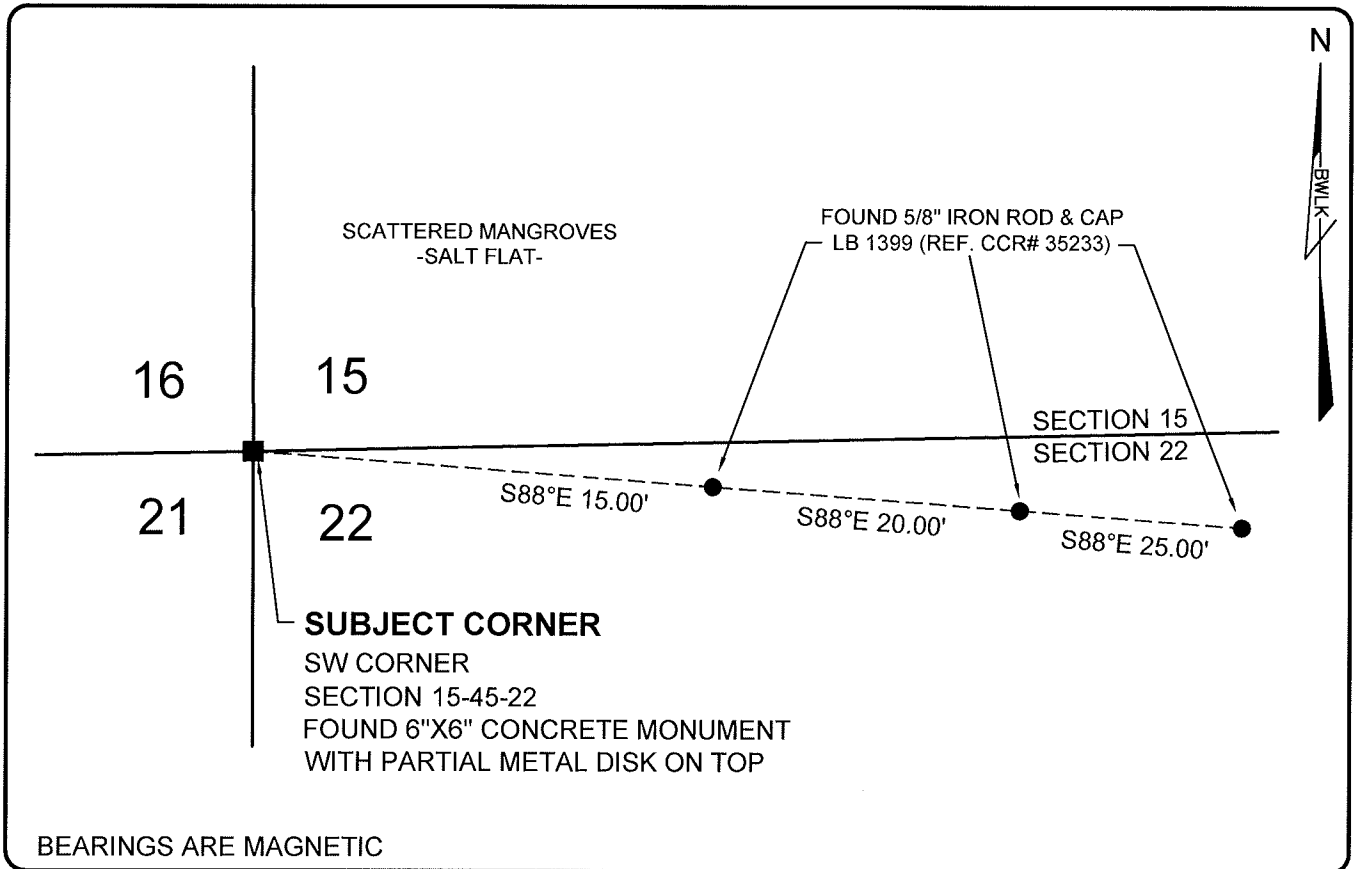


LAND CORNER RECORD

PUBLIC WORKS
LEE COUNTY, FLORIDA

Address - 1500 Monroe St., Ft. Myers, Fla. 33901

Phone : (239) 479-8900



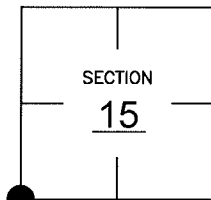
BEARINGS ARE MAGNETIC

COMMENTS:

FOUND 6"X6" CONCRETE MONUMENT, RECOVERED ALL REFERENCES ACCORDING WITH CCR# 35233

CORNER DESCRIPTION

SW Corner
Section 15
Township 45
Range 22



HORIZONTAL POSITION INFORMATION

Florida West Zone, NAD 1983(1990 Adjustment)

Northing(ft) 804889.37 Easting(ft) 621089.23

Latitude 26°32'52.82888" N Longitude 82°06'26.27822" W

Scale Factor 0.99994

EXISTING CERTIFIED CORNER RECORDS

Document No.	Date
<u>35233</u>	<u>04-17-90</u>
_____	_____
_____	_____
_____	_____

The above documents are based on FDEP Bureau of Surveying and Mapping Record Information.

I hereby certify the monument and accessories shown above were field located on 02-23-05.

Scott C. Whitaker
SCOTT C. WHITAKER
Professional Surveyor and Mapper
Florida Certificate No. 4324
Date Signed 08-30-05

BEAN, WHITAKER, LUTZ & KAREH, INC. (LB 4919)
13041 McGregor Boulevard
Fort Myers, Florida 33919-5910
Phone: (239) 481-1331

POINT NO. 11637

BLM REFERENCE NO. T45SR22E400400