

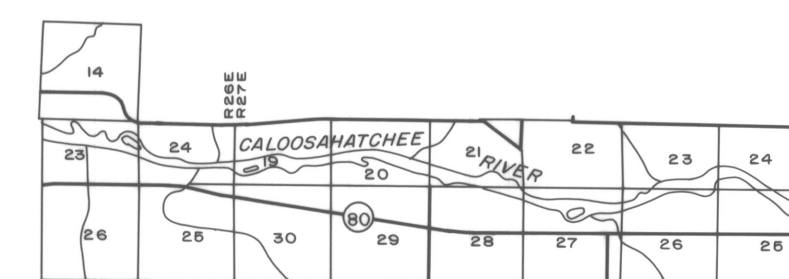
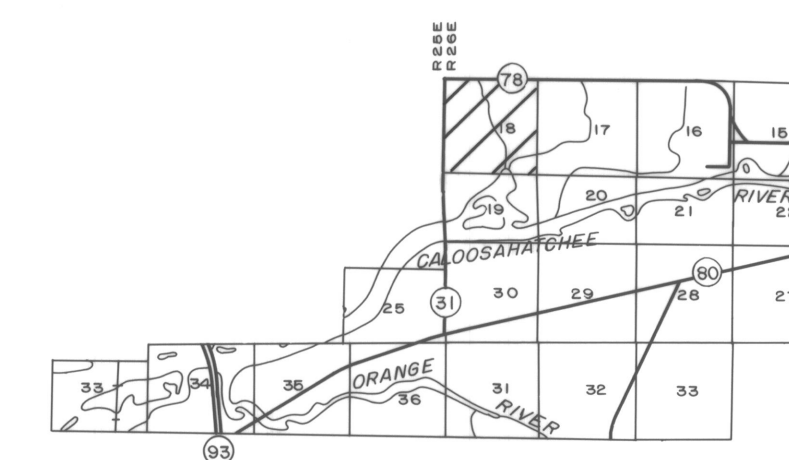


COMPILED BY PHOTOGRAMMETRIC METHODS



LEGEND

| | |
|--------------------------------|---------|
| HORIZONTAL CONTROL U.S.C.&G.S. | △ |
| TRAVERSE STATIONS | 4-5-2 ○ |
| VERTICAL CONTROLS | 9.13 X |
| SECTION CORNERS | 2 1 |
| CONTOURS | 11 12 |
| DEPRESSION CONTOURS | 5 |
| SPOT ELEVATIONS | 10 |
| | 15 |
| | 12.5 |
| T. B. M. | TBM X |
| | 7.2 |



NOTE ACCURACY: IT IS INTENDED THAT THIS MAPPING COMPLY WITH U.S. NATIONAL MAP ACCURACY STANDARDS HOWEVER SUCH ACCURACY OR ANY OTHER LEVEL OF ACCURACY IS NOT GUARANTEED BY LEE COUNTY FLORIDA

THE LAND LINE INFORMATION SHOWN HERE ON IS COMPILED FROM THE BEST AVAILABLE DATA AND DOES NOT NECESSARILY REPRESENT TRUE LAND LINE LOCATION

DASHED CONTOURS AND UNDERLINED ELEVATIONS INDICATE STANDARD VERTICAL ACCURACY REDUCED BY HEAVY FOLIAGE COVER

GRIDS BASED ON FLORIDA STATE PLANE COORDINATE SYSTEM WEST ZONE

ELEVATIONS BASED ON USC&G S DATUM



SCALE 1" = 300' CONTOUR INTERVAL 1'

DATE OF PHOTOGRAPHY 25 MARCH 85
DATE OF MAPPING 25 MARCH 85

LEE COUNTY
FLORIDA

SECTION 18 T 43 S R 26 E

18.43-26